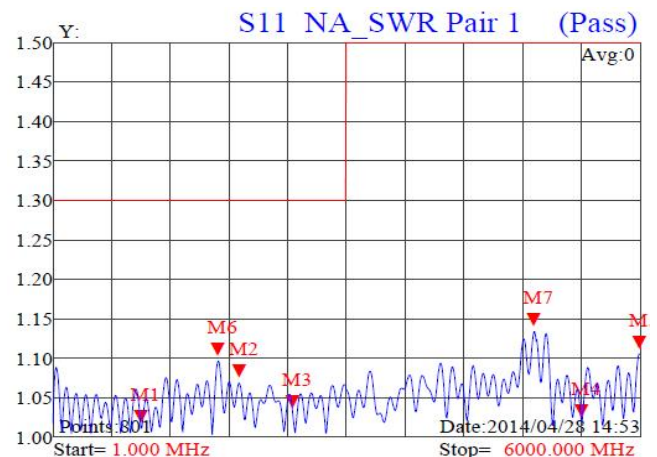
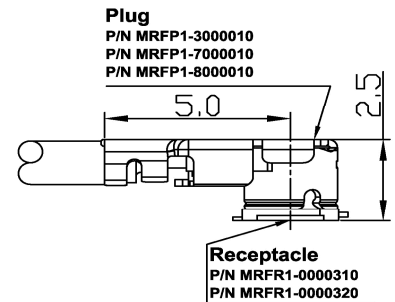
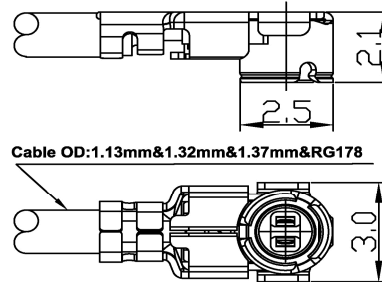


Features:

- Mating Height : 2.5mm
- Industry Standard Product
- Supports OD1.13 mm~OD1.80mm Cable
- High-Frequency Option Available¹
- RoHS II Compliant
- Halogen Free²



- 1.) DC~6GHz, VSWR < 1.5 (Industry Standard)
DC~15GHz, VSWR < 1.5 (Available for Special Order)
- 2.) Cl + Br (halogen) 1,500 PPM (Industry Standard)
F + Cl + Br + I (Halogen Family, 300 PPM Available for Special Order)

SALES OFFICES

Headquarters & Intl'Sales Office

HMT CABLE MANUFACTURING CORPORATION

ADD: 301, Building 88, the Fifth Industrial Zone, Mashantou Community, Ma Tian Street, Guangming District, Shenzhen, China

Tel : +86-755-2771-0581

Cell Phone: +86-138-2335-1983

E-mail: sc_chen@harumoto.com service@harumoto.com salesassistant@harumoto.com

Web Site: www.harumoto.com