

3 pads and 4 pads are applicable

### Features:

Vertical Height : **1.25mm**

Signal Contact Deep-Drawing Press Mold

High Frequency Performance (V.S.W.R.)

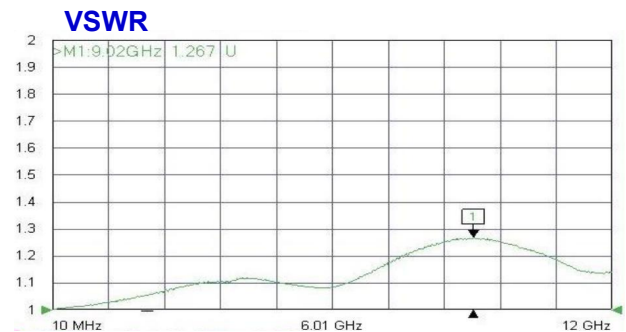
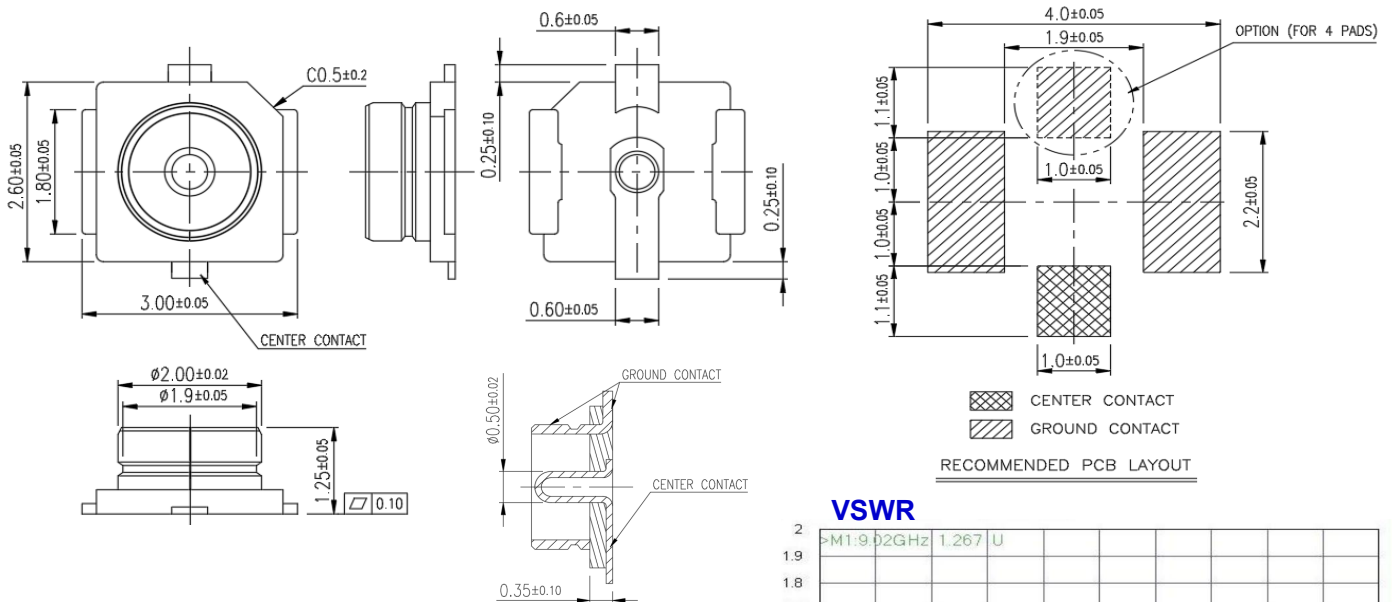
a. 1.30max. ( DC ~ 3GHz )

b. 1.40max. ( 3 ~ 6GHz )

c. 1.60max. ( 6 ~ 12GHz ) **special type**

RoHS II Compliant

HMT P/N	PACKING
MRFR1-0010422	5,000 pcs/REEL; 50,000 pcs/CARTON.



## SALES OFFICES

### Headquarters & Intl'Sales Office

HMT CABLE MANUFACTURING CORPORATION

ADD: 301, Building 88, the Fifth Industrial Zone, Mashantou Community, Ma Tian Street, Guangming District, Shenzhen, China

Tel : +86-755-2771-0581

Cell Phone: +86-138-2335-1983

E-mail: [sc\\_chen@harumoto.com](mailto:sc_chen@harumoto.com) [service@harumoto.com](mailto:service@harumoto.com) [salesassistant@harumoto.com](mailto:salesassistant@harumoto.com)

Web Site: [www.harumoto.com](http://www.harumoto.com)